

RND Foup Opener

Model : RL-ST-4300

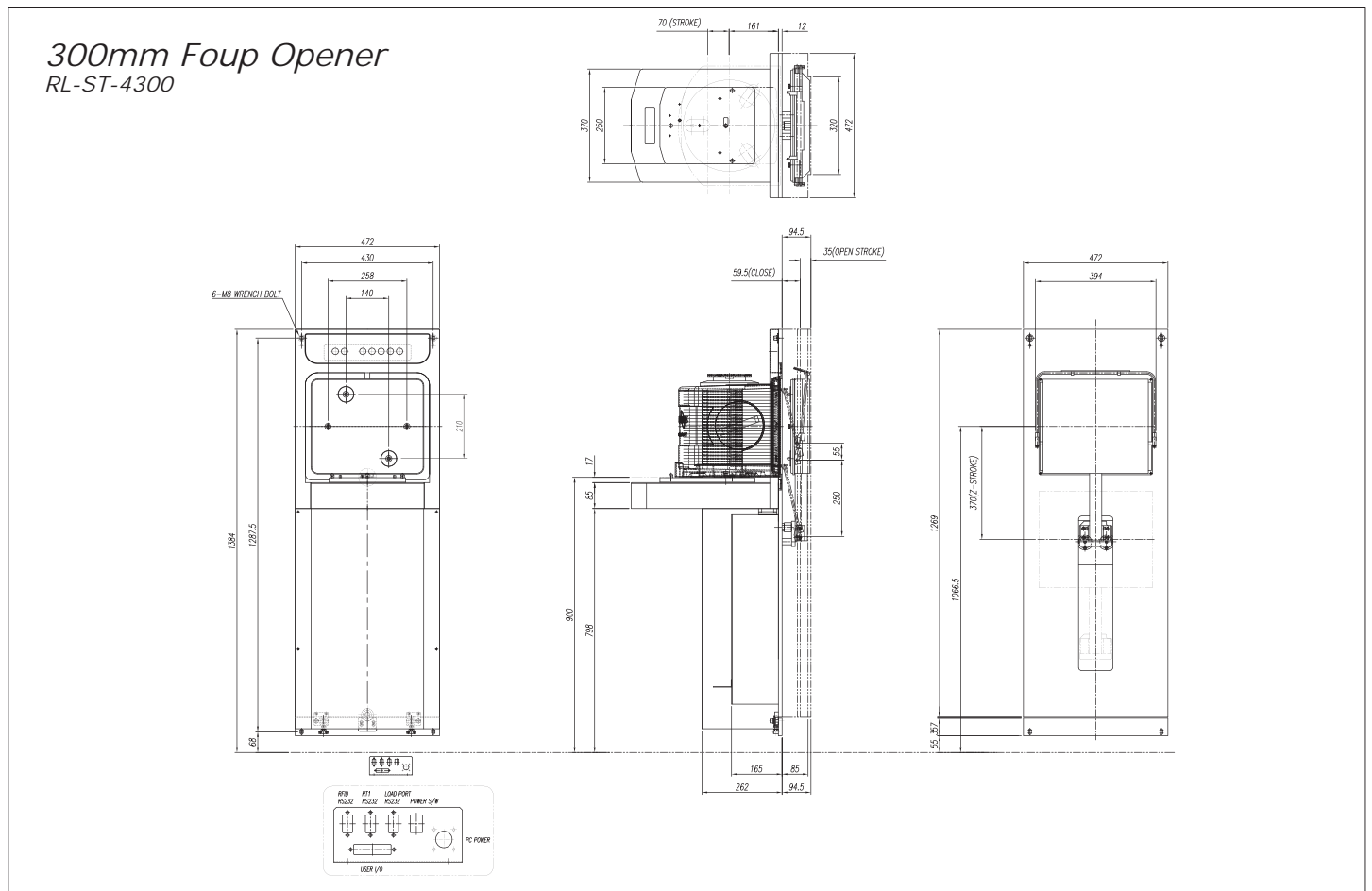


Features

- CE, S2 and SEMI compliant
- Compatible with all SEMI 300mm Foups
- RS232 communication interface
- Designed for easy maintenance
- Foup presence & placement sensor, Wafer protrusion sensor are installed.
- Clean Class 1
- Compatiable with OHT, AGV material handling interface
- Option : RFID reader, Teaching Pendant, PIO sensor, Foup side guide bar, Reflective panel Plate (See the note.)

RND Foup Opener Specification

Model		RL-ST-4300
Wafer size		300 mm
Carrier type		25 FOUF's
Dimension		472(W)X493(D)X1344.5(H)
Weight		60 kg
Mounting	Mounting Point	900mm±10mm
	Bolting	ISO M8-6H
Cleanliness		Class1@0.1µm
Electrical Interface		+24VDC
Communication		Serial RS-232, Parallel I/O
Utility requirement	Vacuum	-80kPa
	CDA	5kg/cm ²
Environment	Temperature	10~40°C
	Humidity	35~45%
Option		RFID Reader, PIO sensor, Teaching Pendant, Foup side Guide Bar, Reflective panel plate



Options for RND Foup Opener

Options	Description	Remark
	RFID Reader	Maker : Brooks
	PIO Sensor	For AGV
	Teaching Pendant	
	FOUP side guide bar	For AGV
	Reflective panel plate	For AGV